



Air Lift Performance 3S[®]

Kits 27708, 27709, 27715-27720

INSTALLATION GUIDE

STANDALONE MANIFOLD

Introduction

The purpose of this publication is to assist with the installation of Air Lift Performance[®] 3S[®].

Read and understand the entire installation guide before beginning installation or performing any maintenance, service or repair.

Air Lift Performance 3S is available for use with 1/4" and 3/8" air lines. There are 1/4" and 3/8" versions of the kit for use with the ALP3 display, APV2 display, AVS or other switch box or the ALP3 app only. No matter which version is chosen, the system will work with the ALP3 app.

Air Lift Company reserves the right to make changes and improvements to its Air Lift Performance products and publications at any time. For the latest version of this manual, contact Air Lift Company at (800) 248-0892 or visit airliftperformance.com.

NOTATION EXPLANATION

Hazard notations appear in various locations in this publication. Information which is highlighted by one of these notations must be observed to help minimize risk of personal injury or possible improper installation which may render the vehicle unsafe. Notes are used to help emphasize areas of procedural importance and provide helpful suggestions. The following definitions explain the use of these notations as they appear throughout this guide.

 **DANGER**

INDICATES IMMEDIATE HAZARDS WHICH WILL RESULT IN SEVERE PERSONAL INJURY OR DEATH.

 **WARNING**

INDICATES HAZARDS OR UNSAFE PRACTICES WHICH COULD RESULT IN SEVERE PERSONAL INJURY OR DEATH.

 **CAUTION**

INDICATES HAZARDS OR UNSAFE PRACTICES WHICH COULD RESULT IN DAMAGE TO THE MACHINE OR MINOR PERSONAL INJURY.

NOTE

Indicates a procedure, practice or hint which is important to highlight.

Installation

Air Lift Performance 3S is a simplified air management kit including a manifold and basic wiring harness. It is intended to be installed with other components purchased separately. Those pieces include:

- Air springs
- Controller (such as AVS switchbox)*
- Compressor
- Tank
- Pressure switch
- Relay
- Water trap
- Fittings/air lines
- 10-, 12-, 18- and 20-gauge insulated copper wire, connectors, terminals, butt splices, fuse/holders
- Schrader valve and blow-off valve

* Versions of 3S are also sold with the Air Lift Performance V2 or ALP3 controller or just the smartphone app.

The installation diagram shows a suggested component layout for installing the 3S system into a specific application. Because the rest of the components to complete the system are purchased separately, this setup may not work for all scenarios.

The 3S manifold features five 1/8-27 NPT pressure ports on the side opposite from the push-to-connect fittings for the air lines. Four of the ports correspond with the air line fittings (as identified on the manifold) directly across from one another. The fifth port is for tank pressure.

NOTE

The ALP3 display cable can be lengthened as much as 8 feet using a USB 3.0 cable.

CAUTION

DISCONNECT FROM VEHICLE POWER WHEN JUMP-STARTING OR WELDING ON THE VEHICLE. FAILURE TO DO SO COULD RESULT IN DAMAGE TO THE MANIFOLD.

CAUTION

BEST PRACTICE IS TO LOCATE THE MANIFOLD UNIT INSIDE THE VEHICLE. IF EXTERNAL MOUNTING IS DESIRED, THE MANIFOLD SHOULD BE LOCATED IN AN AREA SHIELDED FROM DIRECT WATER SPRAY FROM TIRES OR CAR WASHES.

System Use

Refer to the ALP3S User Guide included with the kit to learn how to use the system.

Visit these links for information on using the system.

ALP3 and smartphone app: <http://air-lift.co/alp3>

APV2: <http://air-lift.co/apv2>

Hardware lists

Common parts in all kits

D	17103	5/16"-18 x 1" Hex cap screw.....	2
E	18542	5/16" Stainless steel flat washer.....	2
F	17494	1/4"-14 x 2" Self-tapping screw	2

Switch Box

27708 (3/8" Manifold) & 27709 (1/4" Manifold)

A	26898	Harn-ALP 3S AVS switch box....	1
B1	72645	3S Manifold (1/4")	1
B2	72644	3S Manifold (3/8")	1
C	24532	Butt splice 22-18GA.....	11

APV2 Display

27715 (1/4" Manifold) & 27716 (3/8" Manifold)

A	26834	Harn-ALP 3S W/ APV2 display ..	1
B1	72645	3S Manifold (1/4")	1
B2	72644	3S Manifold (3/8")	1
C	24532	Butt splice 22-18GA.....	3
G1	27045	APV2 display	1

ALP3 Display

27717 (1/4" Manifold) & 27718 (3/8" Manifold)

A	26835	Harn-ALP 3S W/ ALP3 display ..	1
B1	72645	3S Manifold (1/4")	1
B2	72644	3S Manifold (3/8")	1
C	24532	Butt splice 22-18GA.....	3
G2	27055	ALP3 display	1
H	26498-009	USB display cable.....	1

ALP3 Smartphone App Only

27719 (1/4" Manifold) & 27720 (3/8" Manifold)

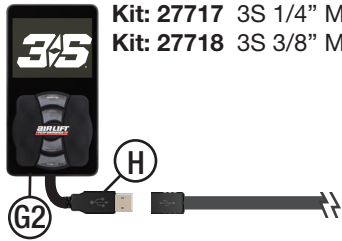
A	26836	HARN-ALP 3S app only	1
B1	72645	3S Manifold (1/4")	1
B2	72644	3S Manifold (3/8")	1
C	24532	Butt splice 22-18GA.....	3

ALP3 smartphone app only*

Kit: 27719 3S 1/4" Manifold
Kit: 27720 3S 3/8" Manifold

ALP3

Kit: 27717 3S 1/4" Manifold
Kit: 27718 3S 3/8" Manifold



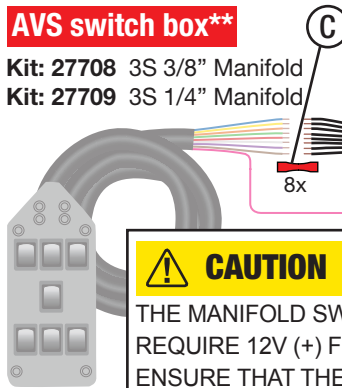
APV2



Kit: 27715 3S 1/4" Manifold
Kit: 27716 3S 3/8" Manifold

AVS switch box**

Kit: 27708 3S 3/8" Manifold
Kit: 27709 3S 1/4" Manifold



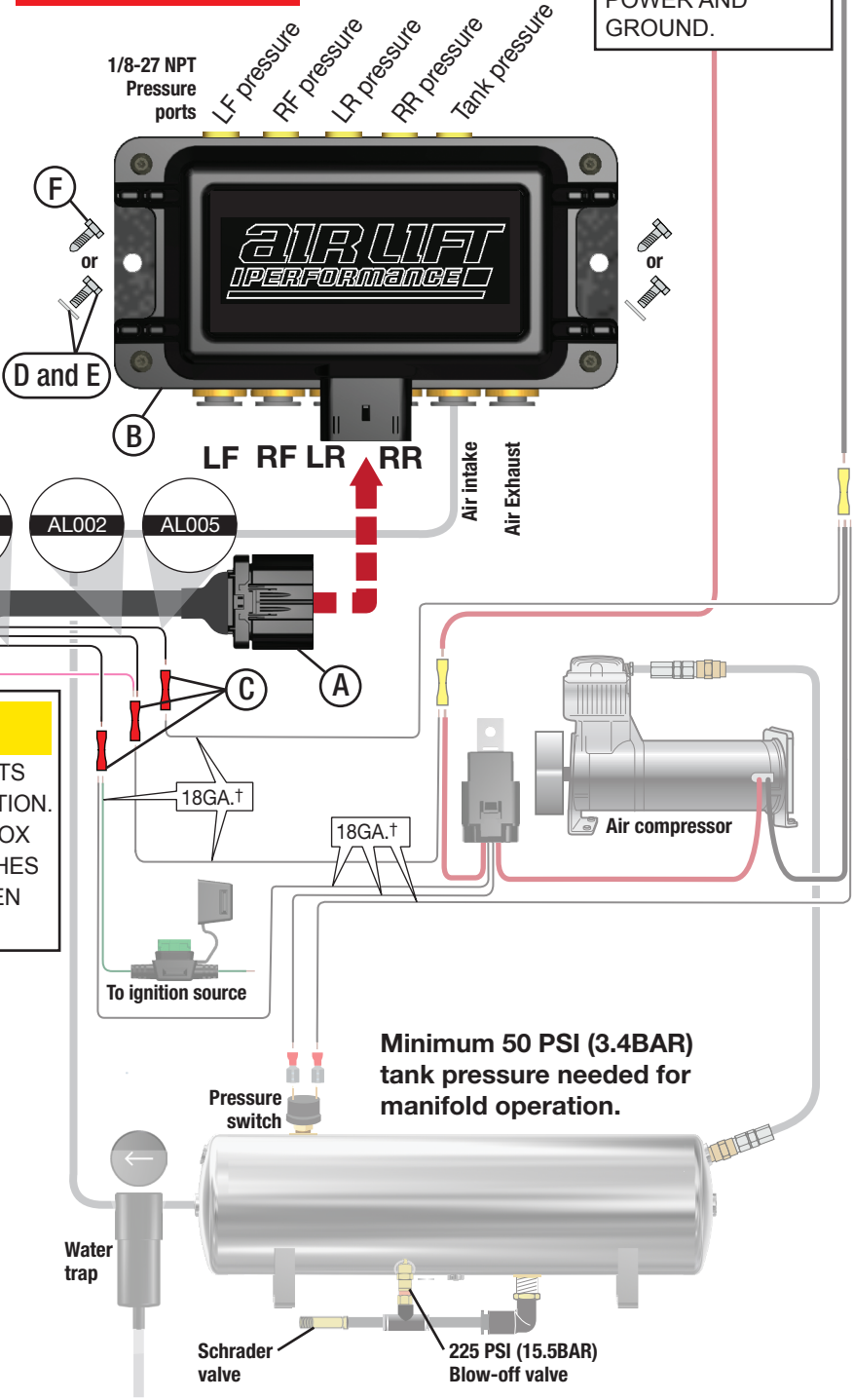
CAUTION
THE MANIFOLD SWITCH INPUTS REQUIRE 12V (+) FOR ACTIVATION. ENSURE THAT THE SWITCH BOX THAT YOU ARE USING SWITCHES 12V (+) TO THESE WIRES WHEN THE SWITCH IS ENGAGED.

Wire Identity	Purpose	AVS switch box wire color
AL035	LR dump (+)	Blue
AL036	RR fill (+)	Purple
AL026	LF fill (+)	White
AL029	RF dump (+)	Red
AL030	LR fill (+)	Green
AL028	RF fill (+)	Orange
AL027	LF dump (+)	Yellow
AL037	RR dump (+)	Brown
Connect on all versions		
AL002	Battery (+)	Pink
AL005	Ground (-)	---
AL004	Ignition (+)	---

Fuse/wire size based on compressor manufacturer recommendation

This is a suggested component layout showing optional equipment not included with the Air Lift Performance 3S system (Parts included in the kit are lettered).

CAUTION
CONSULT THE COMPRESSOR MANUFACTURER FOR THE GAUGE WIRE TO USE FOR COMPRESSOR POWER AND GROUND.



Minimum 50 PSI (3.4BAR) tank pressure needed for manifold operation.

** Manual switch box sold separately, this option includes eight extra butt connectors

† Suggested minimum wire gauge for manifold power, ignition, grounds and pressure switch

* For ALP3S kits sold with the smartphone app only, the wiring harness includes battery, ignition and ground wires

Limited Warranty and Return Policy

Air Lift Company provides a Limited Lifetime Warranty to the original purchaser of its Air Lift Performance 3S® Control/Air Management Systems, that the products will be free from defects in workmanship and materials when used on vehicles as specified by Air Lift Company and under normal operating conditions, subject to the requirements and exclusions set forth in the full Limited Warranty and Return Policy that is available online at www.airliftperformance.com/warranty.

For additional warranty information contact Air Lift Company customer service.

Replacement Part Information

If replacement parts are needed, contact the local dealer or call Air Lift customer service at **(800) 248-0892**. Most parts are immediately available and can be shipped the same day.

Contact Air Lift Company customer service at (800) 248-0892 first if:

- Parts are missing from the kit.
- Need technical assistance on installation or operation.
- Broken or defective parts in the kit.
- Wrong parts in the kit.
- Have a warranty claim or question.

Contact the retailer where the kit was purchased:

- If it is necessary to return or exchange the kit for any reason.
- If there is a problem with shipping if shipped from the retailer.
- If there is a problem with the price.

Contact Information

Mailing address	P.O. Box 80167 Lansing, MI 48908-0167
Shipping address for returns	2727 Snow Road Lansing, MI 48917
Phone	Toll free: (800) 248-0892 International: (517) 322-2144
Email	service@airliftcompany.com
Web address	www.airliftperformance.com



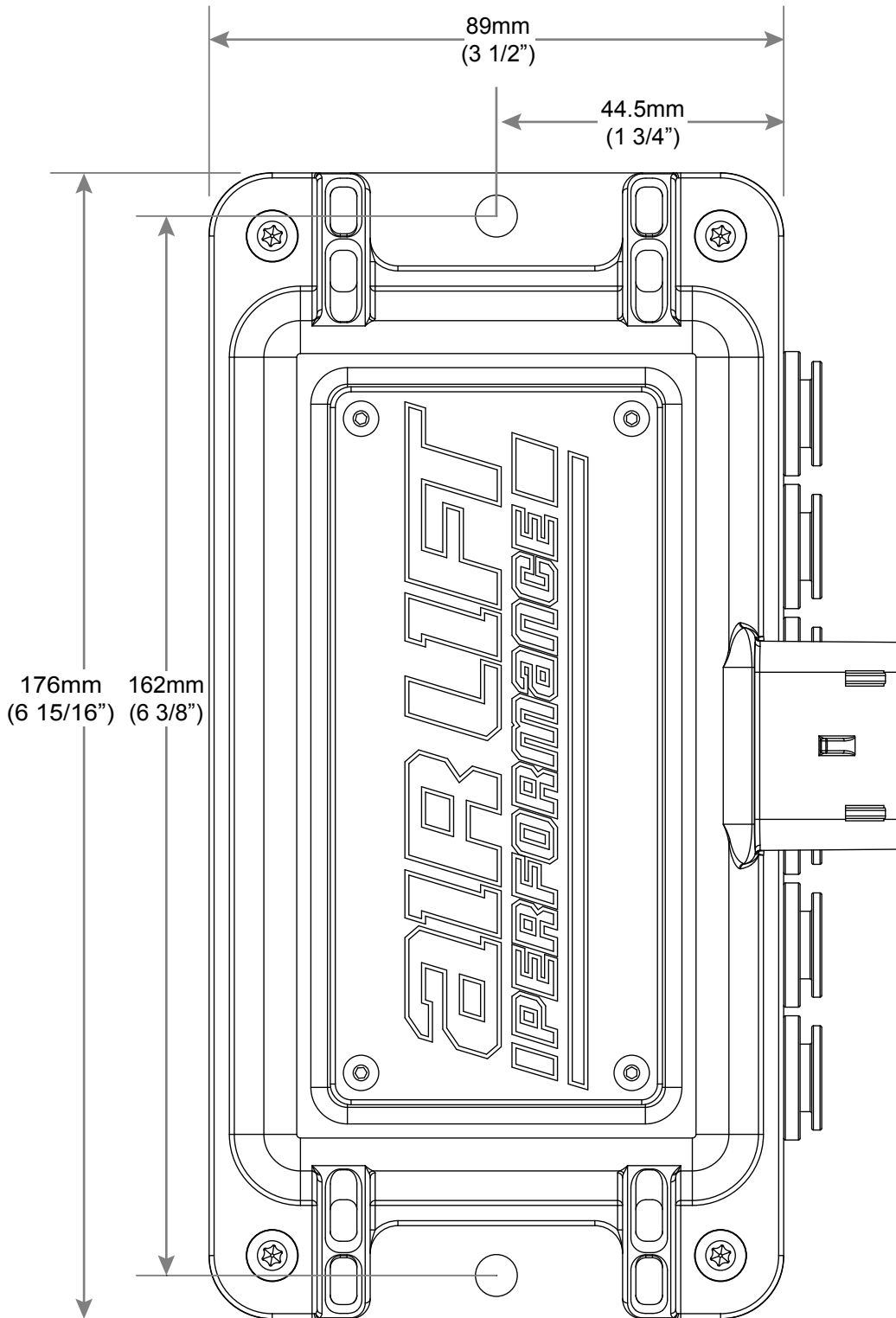
Thank you for purchasing Air Lift Performance products!

Air Lift Company • 2727 Snow Road • Lansing, MI 48917 or P.O. Box 80167 • Lansing, MI 48908-0167
Toll Free (800) 248-0892 • Local (517) 322-2144 • Fax (517) 322-0240 • airliftperformance.com

Printed in the USA
BGL-0718



Manifold Mounting Template



CAUTION

IMPORTANT: PRINT THIS MANUAL AT 100% SCALE. THIS MANUAL CONTAINS A DRILLING TEMPLATE, WHICH WOULD BE RENDERED INCORRECT IN DIMENSION IF PRINTED WITH ANY SCALING. USING AN INCORRECT TEMPLATE TO DRILL HOLES MAY CAUSE DAMAGE TO THE VEHICLE!

PLEASE REFER TO THE ONE-INCH OR 1CM SCALES AND USE A MEASURING TOOL TO CONFIRM THAT THE PRINTED SCALE MEASURES 1" OR 1CM TO VERIFY THAT THE TEMPLATE HAS BEEN PRINTED AT 100% SCALE. IF IT IS PRINTED AT ANY SCALE OTHER THAN 100%, YOU COULD END UP DRILLING IN THE WRONG LOCATIONS ON THE VEHICLE.

